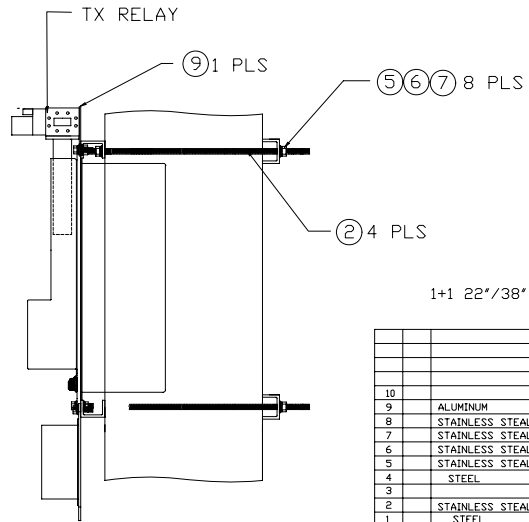
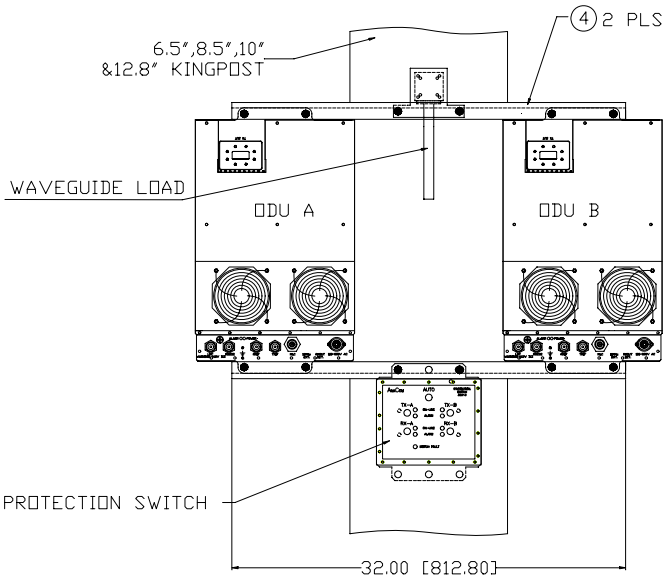
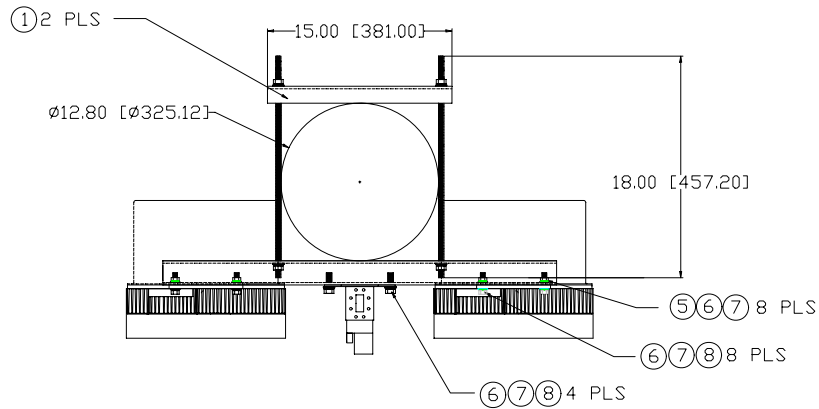
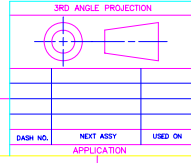


REV	BY	DESCRIPTION	DATE	APPROVED
01	ZHU	PROTOTYPE RELEASE	08/1/09	J.T.
03	ZHU	PER ECDM	1/19/10	



1+1 22"/38" ODU Kingpost Mounting Kit Parts List
BOM #12097

ITEM NO.	ZONE	MATERIAL/SPECIFICATION	NOMENCLATURE OR DESCRIPTION	PART OR IDENTIFIER NUMBER	QTY. REQD.
10					
9		ALUMINUM	TX RELAY PLAT	31622	1
8		STAINLESS STEEL	BOLT, M12 x2", SS	11832102	15
7		STAINLESS STEEL	WASHER SPLIT, M12 SS	11833002	32
6		STAINLESS STEEL	WASHER FLAT, M12 SS	11833102	32
5		STAINLESS STEEL	NUT, M12 SS	11832302	20
4		STEEL	LONG BAR	335229	2
3					
2		STAINLESS STEEL	THREADED M12 ROD,SS,18" LONG	33525	4
1		STEEL	FAB, SINGLE KINGPOST MOUNT KIT PART 1	33526	2



PROPRIETARY INFORMATION
THE INFORMATION CONTAINED HEREIN IS
TO BE USED FOR CUSTOMER NEEDS &
IS TO BE RETURNED TO THE ORIGINAL MANUFACTURER
SHALL NOT BE DISCLOSED OR COPIED TO
ANY THIRD PARTY WITHOUT THE PRIOR WRITTEN
CONSENT OF ANALOG ENGINEERING, INC.

LIST OF MATERIAL OR PARTS LISTS

ANACOM, INC.

ASSY DWG, KINGPOST MOUNT KIT
1+1 22"/38" ODU

DRAWING NUMBER: 33528
REV: 03

SCALE: NONE
FILE No. 33528031
SHEET 1 OF 1